

ECONOLINE

OPERATING INSTRUCTIONS & PARTS MANUAL

100 CFM DUST COLLECTOR

READ INSTRUCTIONS CAREFULLY BEFORE ATTEMPTING TO ASSEMBLE, OPERATE OR SERVICE THE DUST COLLECTOR. FAILURE TO COMPLY WITH INSTRUCTIONS COULD RESULT IN PERSONAL INJURY AND/OR PROPERTY DAMAGE!

RETAIN INSTRUCTIONS FOR FUTURE REFERENCE.

Unpacking

When unpacking the dust collector inspect unit carefully for any damage that may have occurred in transit.

General Safety Information

Follow all electrical and safety codes, as well as the National Electric Code (NEC) and OSHA.

Do Not use this dust collector as an independent vacuum cleaner.

Do Not use fluids, or mix fluids with blast media. This Dust Collector is designed to accommodate dry blasting media only.

IMPORTANT--clean filter after every 2 hours of blasting. To clean, use internal blow off device. For information on the use of the blow off feature see maintenance section.

Make sure that blow off device is in the off position (red handle turned with wings 90 degrees from center line of air flow) before removing the motor/filter assembly for repair or to empty can.

DANGER: To reduce the risk of damage to the eyes or face, do not activate blow off with the motor/filter assembly out of the dust collection can.

WARNING: DO NOT OPERATE DUST COLLECTOR OR AIR FLOW WITH THE MOTOR BLOWER ASSEMBLY DETACHED FROM THE COLLECTING CANISTER. THIS COULD RESULT IN SERIOUS EYE DAMAGE OR BLINDNESS IF THE PROPELLED MEDIA COMES IN CONTACT WITH UNPROTECTED PARTS OF THE FACE.

WARNING: THIS IS A DUST COLLECTOR FOR A DRY BLAST UNIT. IT IS NOT MADE TO ACCOMMODATE MOISTURE OF FLUIDS OF ANY KIND USED SEPARATELY OR AS A MIX WITH BLAST MEDIA.

ECONOLINE ABRASIVE PRODUCTS,
INC.

401 NORTH GRIFFIN STREET
GRAND HAVEN, MI 49417

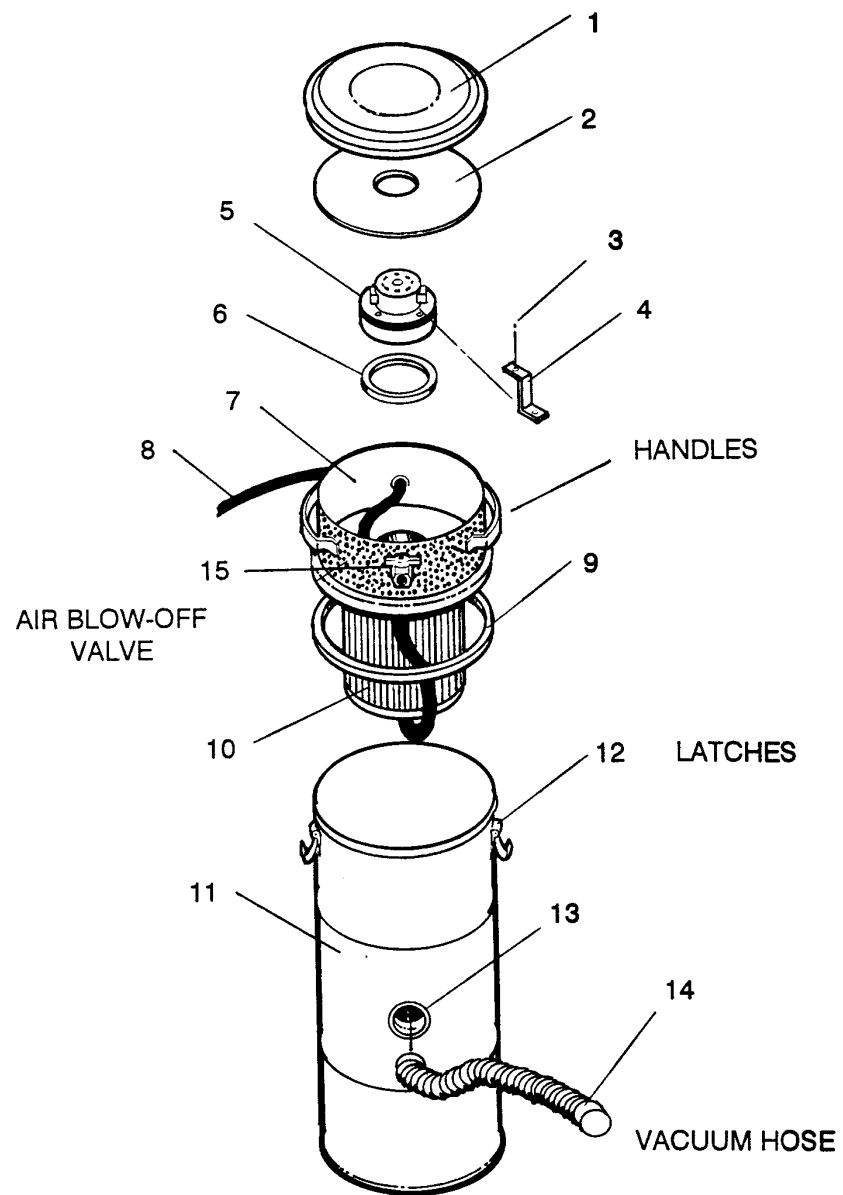
PH: (616) 846-4150

TOLL FREE (800) 253-9968

FAX: (616) 846-6341

www.sandblasting.com

ASSEMBLY DIAGRAM FOR 100 CFM DUST COLLECTOR



SEE NEXT PAGE FOR PART DESCRIPTION & NUMBERS

IMPORTANT

Replacement and service parts may be ordered by using either catalog or part number listed above.

Call 1-800-253-9968 for assistance in locating an ECONOLINE distributor in your area.

Assembly Operation

Unlatch (2) latches on the dust collector.

Pull upward on the handles to remove motor/filter assembly.

Remove 2-1/2" dia. vacuum hose laying in the bottom of can.

Replace motor/filter assembly and relatch securely.

Connect 2-1/2" dia. vacuum hose to both dust collector and blast cabinet. Note: Hose end with plastic adapter fitting, fits into inlet flange in the dust collector. For connecting other end of hose to the blast cabinet, see blast cabinet instruction manual for the location of the hole.

Plug dust collector electric cord into lamp box assembly on top of blast cabinet.

User must supply air to the blow off device. A 1/4 N.P.T. male fitting on the end of users air line is required. Maximum air pressure should not exceed 120 lbs.

Maintenance

Check hoses for cracks and electrical cord for cuts or fraying.

Check air fittings for tightness.

Activate air blow off after every 2 hours of use. This will clean accumulated dust off the filter for better dust collection during blasting. To activate the blow off device, turn red valve handle counter clockwise 1/4 turn, until wings on red handle line up parallel with air line. To turn off blow off device turn handle 1/4 turn clockwise, so wings on red handle are 90 degrees from centerline of air line. (See diagram below for illustration).

Empty the residue dust from dust collector can by unlatching (2) latches, lifting off the motor/filter assembly and disposing of residue properly. It is best not to let more than a gallon of debris remain in the dust collector before discarding.

Filter Replacement.

- Unlatch top motor blower assembly, lift off and turn upside down so filter is pointing up.
- Disconnect blow off hose from bottom of filter.
- Remove 7/8 inch brass nut and black rubber washer.
- Dispose of old filter properly.
- Place new filter on unit and replace washer, brass nut and hose. Note: Make sure brass nut and hose are snug but not overly tight, as not to strip threads.
- Replace motor blower assembly and relatch.

PARTS LIST FOR CARTRIDGE STYLE DUST COLLECTOR

	DESCRIPTION	PART #	COMMENTS
1.	Top Pan - Plastic	414440	Gray for 110 V
	Top Pan - Metal	310440- 66	Gray for 220 V
	Top Pan - Metal Separator,	310440- 67	Red
2.	Motor	495103	
3.	Self Tapping Screw # 8	411526	
4.	Z-Bracket, Motor Mtg	309838-A	
5.	Motor vacuum	*414414	110 Volt
		*414420-E	220 Volt
6.	Motor gasket	403510	
7.	Filter foam, white	495113	
8.	Power cord	411242	110 volt
		411256	220 Volt
9.	Gasket, seal motor housing - (3.75' required)	411416	sold by ft.
10.	Cartridge filter	495171	
11.	Barrell	314178-A	Gray
		314178-B	Black
12.	Latch	411703	
13.	Grommet	411430	
14.	Vacuum Hose	201820-A	5'
		201820-10	10'
15.	Valve (air blow off)	495740	

IMPORTANT

Replacement and service parts may be ordered by using the part number listed above.

*WARRANTY: The 414414 & 414420-E motors have a 90 day warranty

