

# **RA 400 & 600 CFM DUST COLLECTOR INSTRUCTION MANUAL CARTRIDGE**

## **LARGE CAPACITY DUST COLLECTOR**

The Econoline 400 & 600 CFM-C Style Dust Collectors are constructed with a 9” diameter x 24” height Cartridge Style Dust filter. This filter is 98.98% efficient, filtering .5-micron particles at 1.5:1 air to-cloth-ratio. This unit also features the ability to clean the filter utilizing an air-actuated vibrator. This vibrator shakes free the dust adhered to the cartridge depositing it into the units hopper for easy removal. This process allows the dust collector to operate at peak efficiency, clearing your abrasive blast cabinet of dust for better visibility.

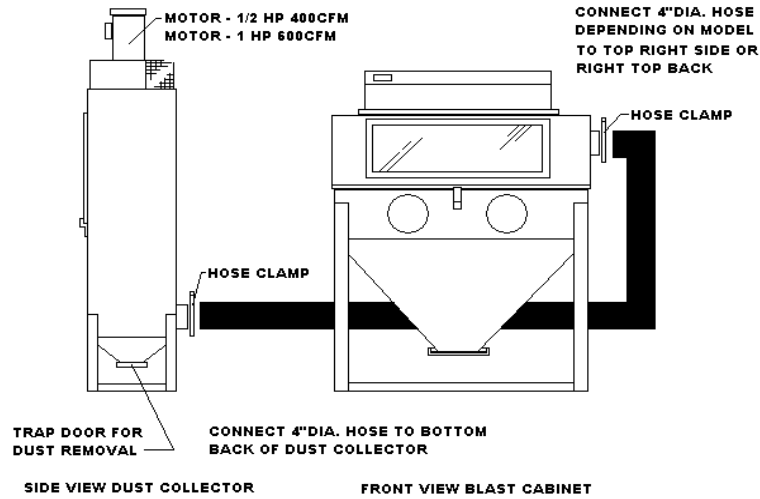
## **SET-UP AND OPERATING INSTRUCTIONS**

### **READ INSTRUCTIONS COMPLETELY BEFORE USE**

- 1) Locate the 10-foot section of 4” diameter vacuum hose packed inside of unit. Connect one end to 4” diameter tube on back or side of blast cabinet (See drawing). Secure with hose clamp.
- 2) Connect opposite end of vacuum hose to the 4” diameter intake tube on the back of the dust collector (see drawing). Secure with hose clamp.
- 3) Plug power cord on dust collector into the receptacle on the blast cabinet’s light box assembly (located on back side). Dust collector will now start when blast cabinet light is turned on.
- 4) Attach airline to ball valve on top of dust collector with quick disconnect (minimum ¼” diameter).
  - a. This air is used to clean filter by actuating vibrator mounted to filter support plate.
  - b. This should be done once every hour or each time you finish blasting.
  - c. Position waste container under unit’s trap door; dump waste dust into container by pushing down on trap door.

**ECONOLINE ABRASIVE PRODUCTS, INC.**  
401 NORTH GRIFFIN  
GRAND HAVEN, MI 49417  
616-846-4150  
[www.sandblasting.com](http://www.sandblasting.com)

**TYPICAL SET-UP 400 OR 600 CFM DUST COLLECTOR**

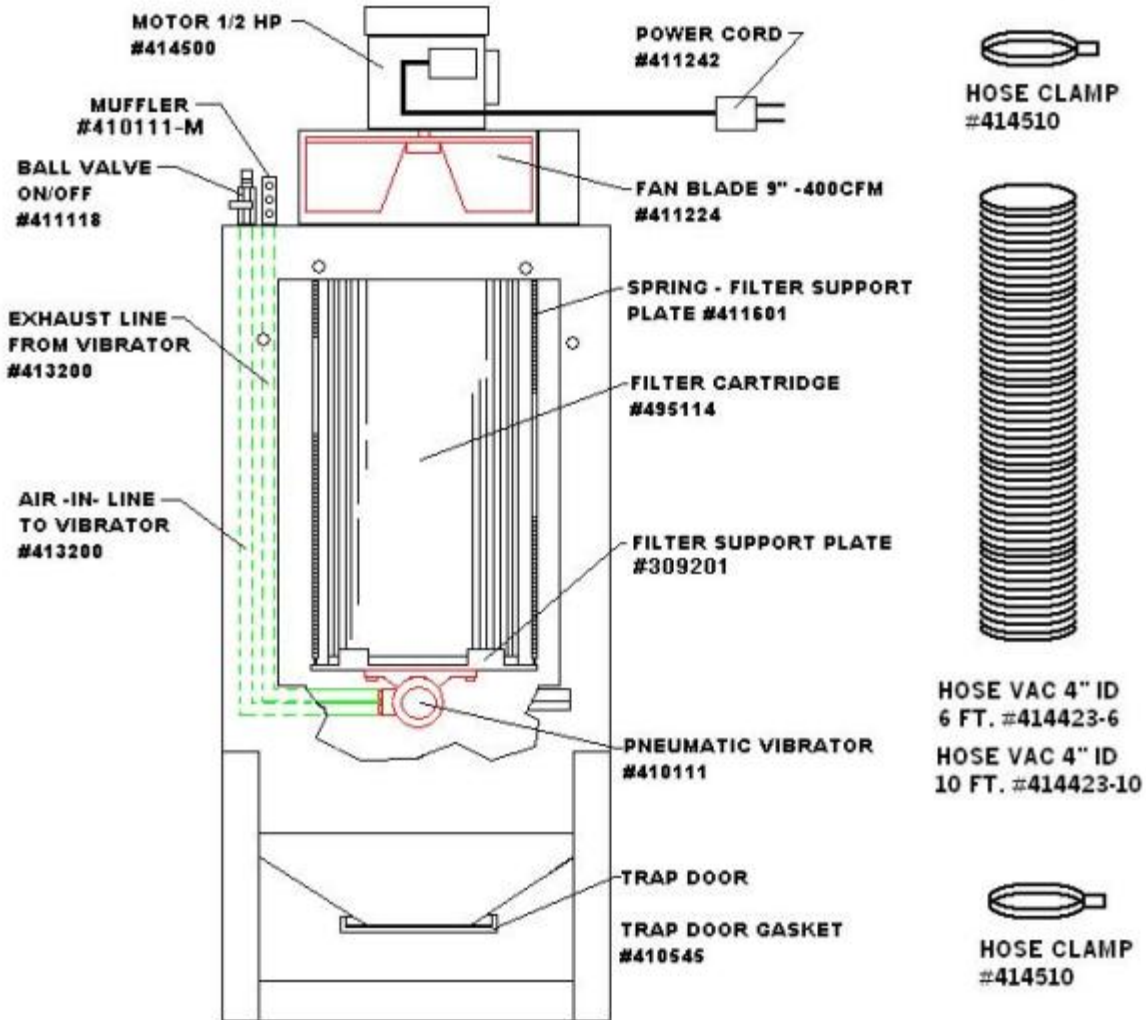


**PARTS LIST 400 & 600 Cartridge DC**

QTY	PART #	DESCRIPTION	INFORMATION
4 EACH	411614	S-HOOK	Used on spring to secure filter support plate
2 EACH	411601	SPRING	Used to secure filter support plate
1 EACH	410111	VIBRATOR	Attaches to filter support plate
1 EACH	309201-66	FILTER/VIBRATOR SUPPORT PLATE	Plate holds vibrator and filter
1 EACH	411347	QUICK CONNECT	Threads into ball valve on/off
1 EACH	411118	VALVE BALL	Supplies air to vibrator
3 FEET	413200	3/8" AIR LINE	Supplies air from ball valve to vibrator
1 EACH	411600	SPRING	Spring for trapdoor
4 EACH	495678	WING NUT	Used to attach door to unit
1 EACH	410545	GASKET TRAPDOOR	Seals trap door
1 EACH	411224 OR 411225	FAN BLADE 9" (400 CFM) FAN BLADE 11" (600 CFM)	Used on motor housing assembly
1 EACH	414500 OR	1/2 HP MOTOR (400 CFM)	FOR 400 CFM DC
1 EACH	414501	1 HP MOTOR (600 CFM)	FOR 600 CFM DC
1 EACH	411242	POWER CORD	110 Volt
3 FEET	413401	1/4 AIRLINE	Exhaust air from vibrator to muffler
1 EACH	495114 OR 495114-H	FILTER CARTRIDGE HEPA - FILTER CARTRIDGE	HEPA FILTER
PER FOOT	414423	4" VACUUM HOSE	4" Vacuum hose (per foot)
10 FEET	414423-10	4" VACUUM HOSE	4" Vacuum hose 10 feet

**DRW 4**  
**400/600 CFM D/C**

600 CFM  
MOTOR 1HP  
#414501  
FAN BLADE 11" -600CFM  
#411225



**Notes:**

400 - Draw 8.0 Amps - 115 V Draw 4.0 Amps - 230 V  
600 - Draw 12.0 Amps - 115 V Draw 6.0 Amps - 230 V  
Cartridge Filter - .5 Micron at 1.5:1 air to cloth ratio.

## **WARRANTY**

### **ECONOLINE**

THIS PRODUCT HAS BEEN MANUFACTURED AND ENGINEERED TO THE HIGHEST STANDARDS.

### **FIVE YEAR WARRANTY**

ECONOLINE ABRASIVE PRODUCTS GUARANTEES ITS BLAST CABINETS AGAINST DEFECTS IN MATERIAL AND WORKMANSHIP FOR A PERIOD OF FIVE YEARS FROM THE ESTABLISHED PURCHASE DATE. ECONOLINE WILL REPAIR OR REPLACE, FREE OF CHARGE, ANY DEFECTIVE PARTS DETERMINED TO BE COVERED UNDER THIS WARRANTY BY OUR FACTORY SERVICE PERSONNEL.

THE PARTS MUST BE RETURNED TO THE FACTORY, FREIGHT COLLECT, WITH A LETTER OF EXPLANATION. ON ACCEPTANCE OF CLAIM ECONOLINE WILL REPLACE DEFECTIVE PART.

### **CONDITIONS**

THIS WARRANTY DOES NOT APPLY IF THE UNIT HAS BEEN MISUSED, ALTERED, OR USED FOR ANY PURPOSE OTHER THAN IN ACCORDANCE WITH THE OPERATING AND ASSEMBLY INSTRUCTIONS PROVIDED.

THIS WARRANTY DOES NOT COVER TRANSPORTATION, INTERIOR OR EXTERIOR FINISHES, HOSE ASSEMBLIES, NOZZLES, AIR JETS, WINDOWS, FILTERS, LAMPSHIELDS OR MEDIA VALVE.

**OPERATION OF THIS UNIT WITH NATURAL SAND SHALL RENDER THIS WARRANTY NULL AND VOID.**

## **WARNING**

DO NOT USE SAND OR ANY ABRASIVE CONTAINING SILICA. USE OF COMPOUNDS CONTAINING SILICA IS A HEALTH HAZARD.

FREE SILICA WHEN INHALED CAN LEAD TO SERIOUS, PERMANENT, DISABLING AND DEADLY DISEASE (SILICOSIS).