

400 & 600 PT RECLAIMER MANUAL

400 PT RECLAIMER / DUST COLLECTOR

SET - UP INSTRUCTIONS

**READ ASSEMBLY INSTRUCTIONS COMPLETELY
BEFORE STARTING**

1. LOCATE THE 10 FOOT SECTION OF 4" DIA. RECLAIMER HOSE AND CONNECT ONE END TO THE TUBE ON THE SIDE OF THE BLAST CABINET HOPPER. (SEE DRAWING)

SECURE WITH HOSE CLAMP.

2. CONNECT THE OPPOSITE END OF THE ABOVE RECLAIMER HOSE TO THE INTAKE TUBE ON THE SIDE OF THE RECLAIMER. (SEE DRAWING)

SECURE WITH HOSE CLAMP.

3. LOCATE THE 6 FOOT SECTION OF 4" DIA. RECLAIMER HOSE AND CONNECT ONE END TO THE TOP OF THE RECLAIMER. (SEE DRAWING)

SECURE WITH HOSE CLAMP.

4. CONNECT THE OPPOSITE END OF THE ABOVE RECLAIMER HOSE TO THE TUBE ON THE BACK SIDE OF THE DUST COLLECTOR. (SEE DRAWING)

SECURE WITH HOSE CLAMP.

5. LOCATE THE CLEAR ABRASIVE HOSE AND SLIDE ONE END ONTO THE MEDIA - AIR MIXTURE TUBE OF THE MEDIA REGULATOR VALVE.



PUSH THE OPPOSITE END OF THE CLEAR ABRASIVE HOSE THROUGH THE HOSE OPENING LOCATED ON THE RIGHT SIDE OF THE HOPPER OF THE BLAST CABINET, AND SLIDE ONTO THE MEDIA FEED TUBE OF THE BLAST GUN. (SEE DRAWING)

6. PLUG THE DUST COLLECTORS ELECTRICAL CORD INTO THE RECEPTACLE ON THE CABINET'S LIGHT BOX ASSEMBLY.

7. THERE ARE TWO METHODS OF LOADING ABRASIVE INTO THE SYSTEM.

A. WITH THE DUST COLLECTOR BLOWER TURNED OFF, OPEN THE SIDE DOOR OF THE RECLAIMER AND POUR IN ABRASIVE.

OR

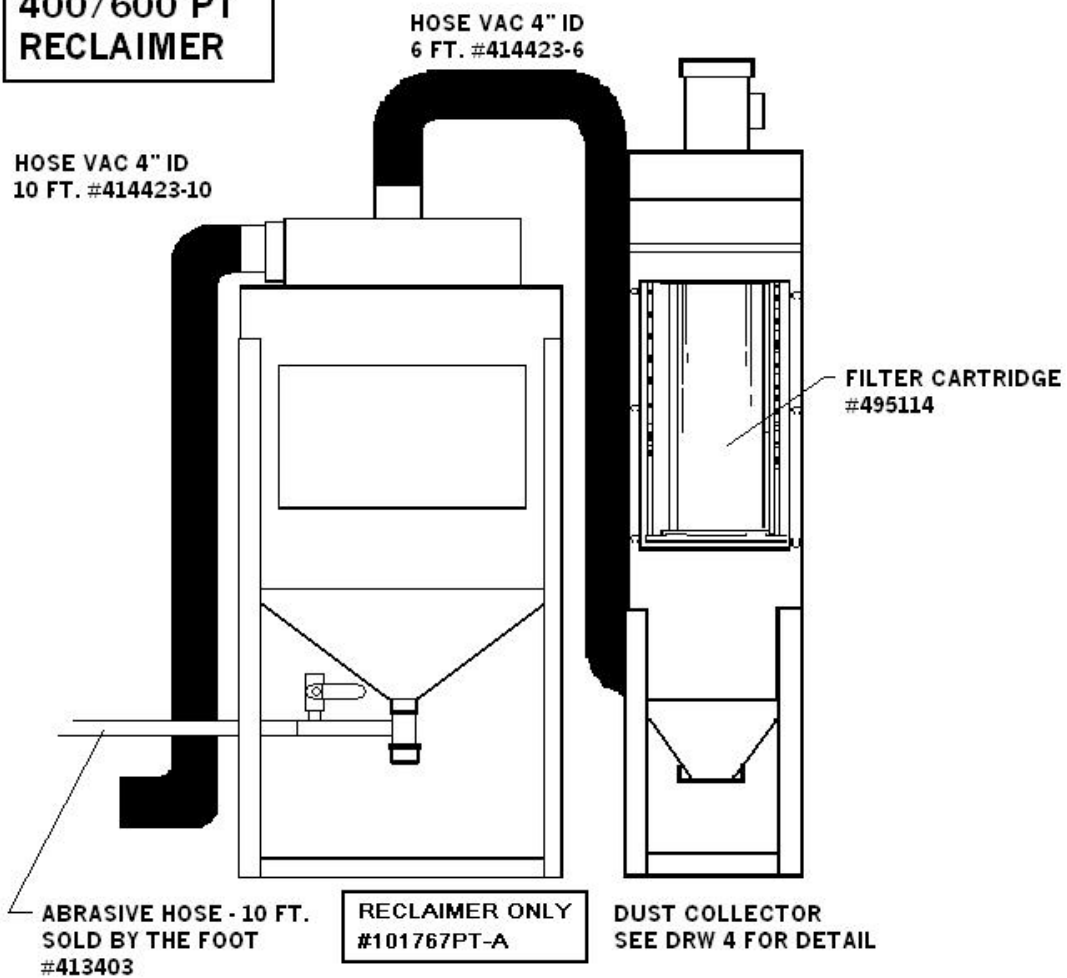
B. TURN ON DUST COLLECTOR MOTOR (CABINET LIGHT SWITCH).

OPEN FRONT DOOR OF CABINET AND SLOWLY POUR ABRASIVE INTO HOPPER, ALLOWING RECLAIMER TO PULL MEDIA INTO SYSTEM THROUGH HOSE AT BOTTOM OF HOPPER.

NOTE: IF YOU POUR MEDIA IN TOO QUICKLY IT CAN COVER THE RECLAIMER TUBE COMPLETELY CAUSING IT TO PLUG.

8. YOU MAY NOW ADJUST THE MEDIA - AIR MIXTURE (SEE RECLAIMER - MEDIA REGULATUR VALVE INSTRUCTIONS) AND BEGIN BLASTING.

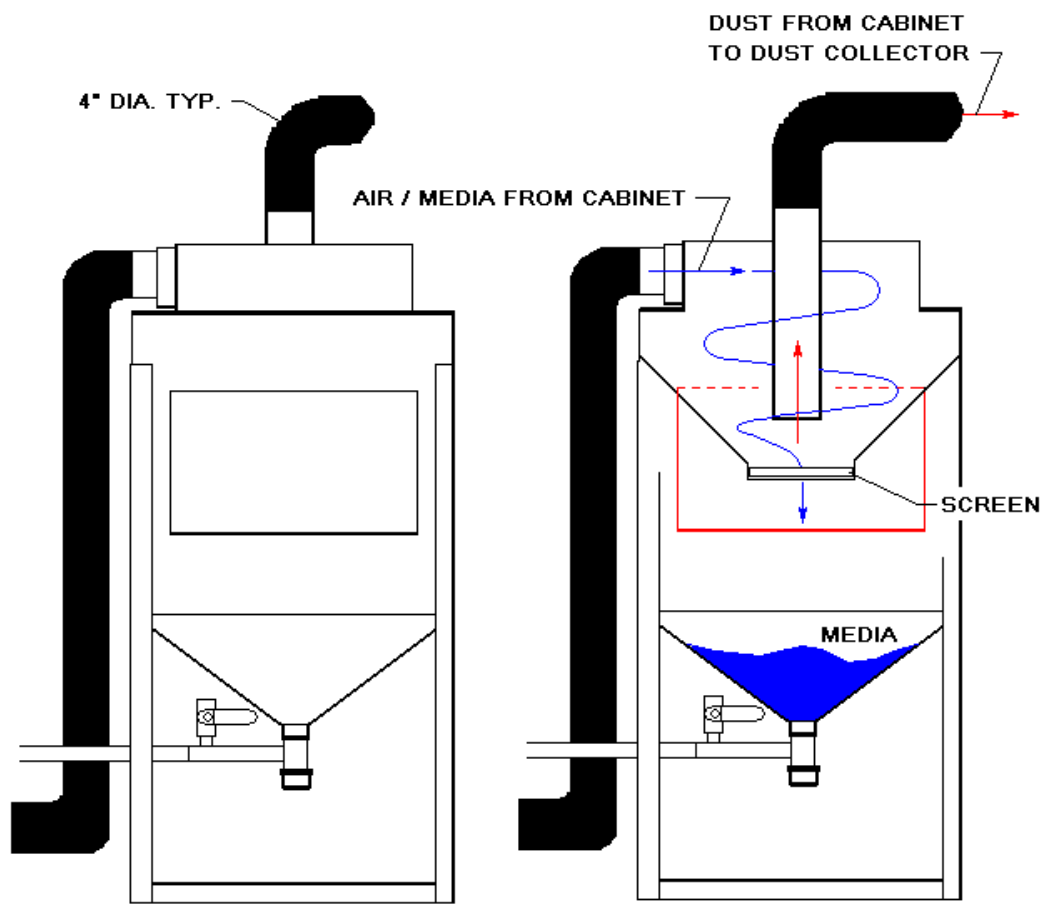
**DRW 3
400/600 PT
RECLAIMER**



**DETAIL MEDIA REGULATOR
VALVE #203175-A**

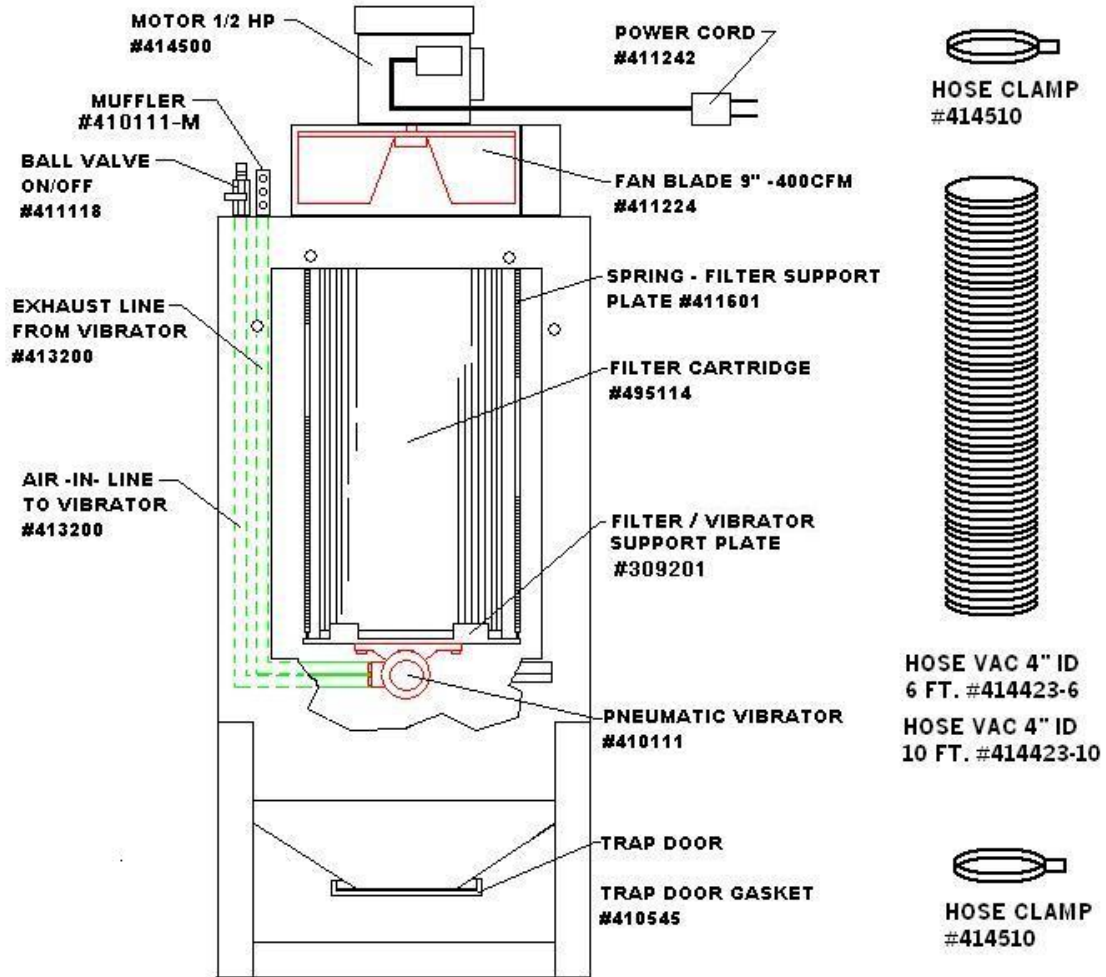
DRW 3B
PULL THRU - DIM.

SECTION VIEW - AIR FLOW



DRW 4
400/600 CFM D/C

600 CFM
MOTOR 1HP
#414501
FAN BLADE 11" - 600CFM
#411225



Notes:

400 - Draw 8.0 Amps - 115 V Draw 4.0 Amps - 230 V

600 - Draw 12.0 Amps - 115 V Draw 6.0 Amps - 230 V

Cartridge Filter - .5 Micron at 1.5:1 air to cloth ratio.

99.98% Efficient

DETAIL VIEW OF MEDIA REGULATOR VALVE

THE QUANTITY OF ABRASIVE IN THE MEDIA - AIR - MIXTURE CAN BE ADJUSTED USING THE BALL VALVE TO CONTROL FREE AIR INTAKE.

IF YOU CLOSE THE BALL VALVE YOU WILL GET ALMOST ALL MEDIA.

TO ADJUST FLOW, OPEN BALL VALVE TO ALLOW MORE AIR (LESS MEDIA).

****FOR BEST RESULTS THE MIXTURE SHOULD APPEAR AS A LIGHT MIST COMING FROM THE GUN NOZZLE.**

